

SHARP SERVICE MANUAL

No. 00ZFO47IF/SME

FACSIMILE OPTION PC INTERFACE KIT

MODEL FO-47IF

CONTENTS

[1] General description	1
[2] Installation	1
[3] Circuit schematics and parts layout	2
[4] Parts guide	6

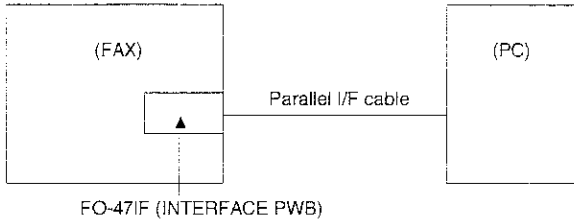
Parts marked with "⚠" is important for maintaining the safety of the unit. Be sure to replace these parts with specified ones for maintaining the safety and performance of the unit.

[1] General description

1. General description

This PC I/F PWB unit connects a FAX with a PC (personal computer) to enable utilizing their respective functions effectively. This PC I/F PWB unit is an option kit mounted in the FAX. Its PC-interface functions increase the added value of the FAX. The PC I/F PWB unit can be mounted in the FO-4700 series and FO-5700 series.

2. Configuration of PC I/F PWB unit



Make sure the cable is IEEE 1284-compliant.
We recommended a shielded cable no longer than 6 feet.

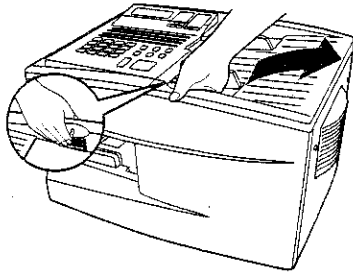
[2] Installation

FO-471F is an option for the Sharp FO-4700/5550/5700/5800 100V series.

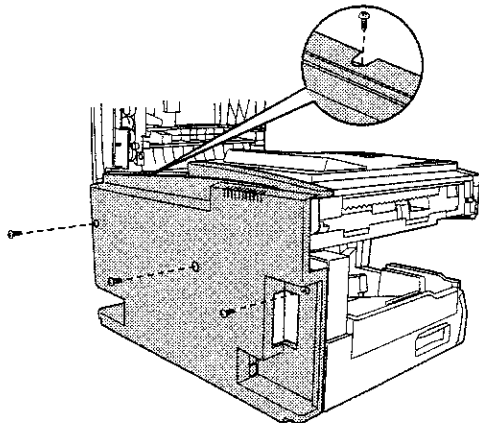
Important!

Be sure to turn off the power and unplug the power cord before proceeding.

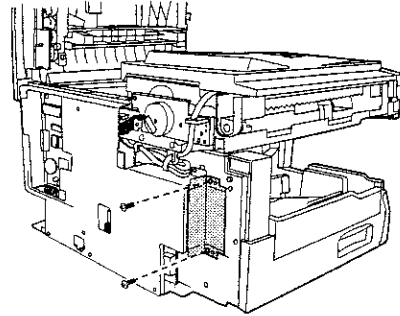
1. Remove the document OUT tray (if attached). Press the green release to open the print compartment cover.



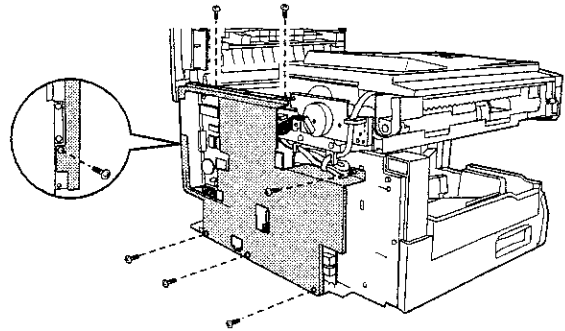
2. Remove the screws (4) that secure the rear cover and remove the rear cover.



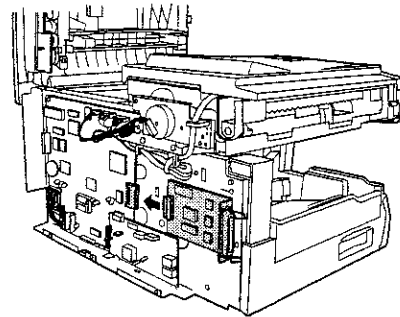
3. Remove the screws (2) that secure the bracket plate and remove the bracket plate.



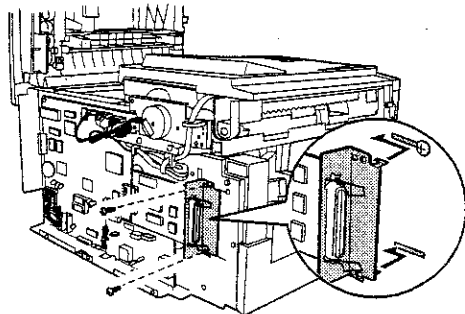
4. Remove the screws (7) that secure the large metal plate and remove the plate.



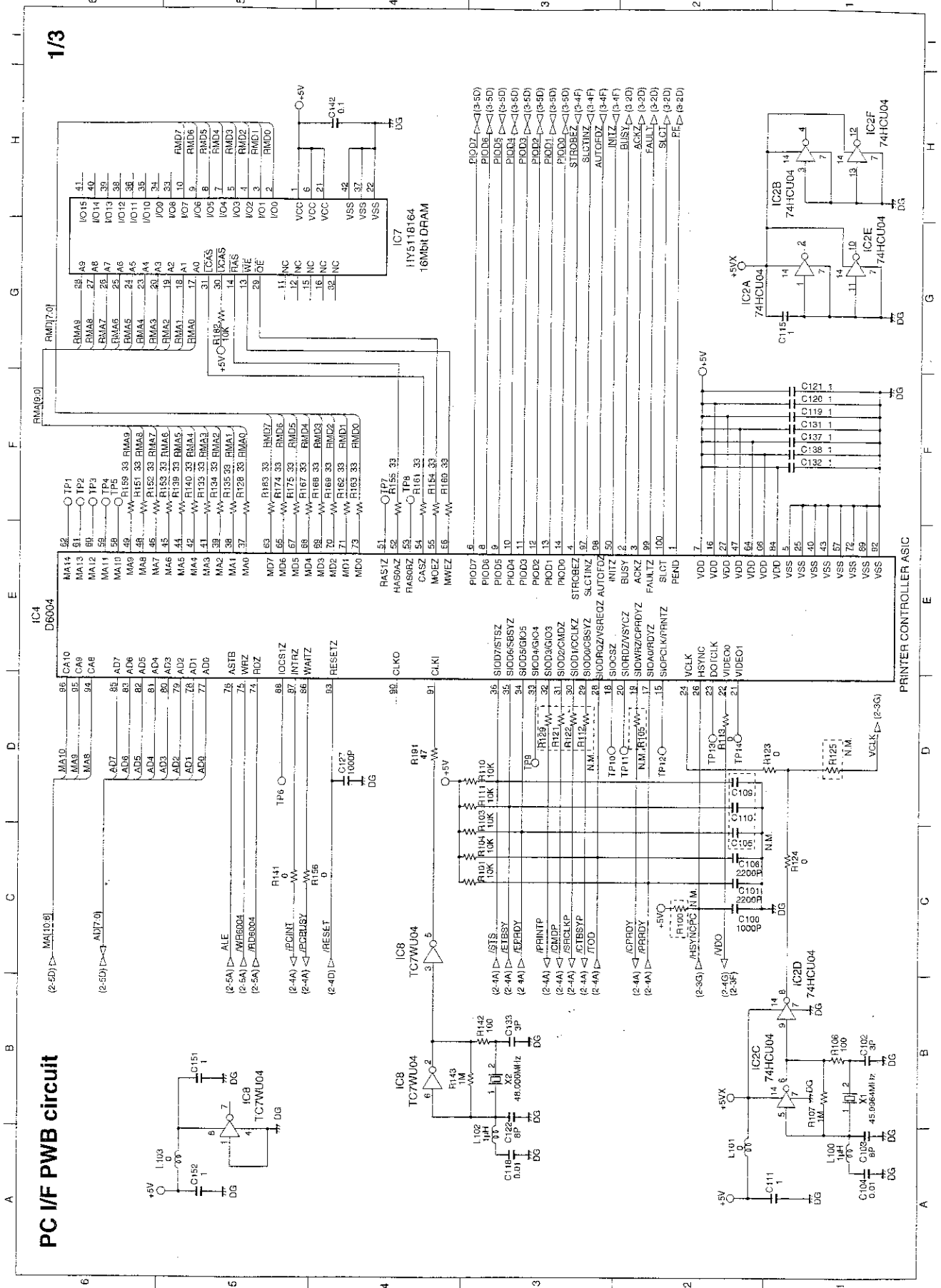
5. Insert the PC interface board into the connector as shown.



6. Attach the PC I/F bracket, securing it with the 2 screws.

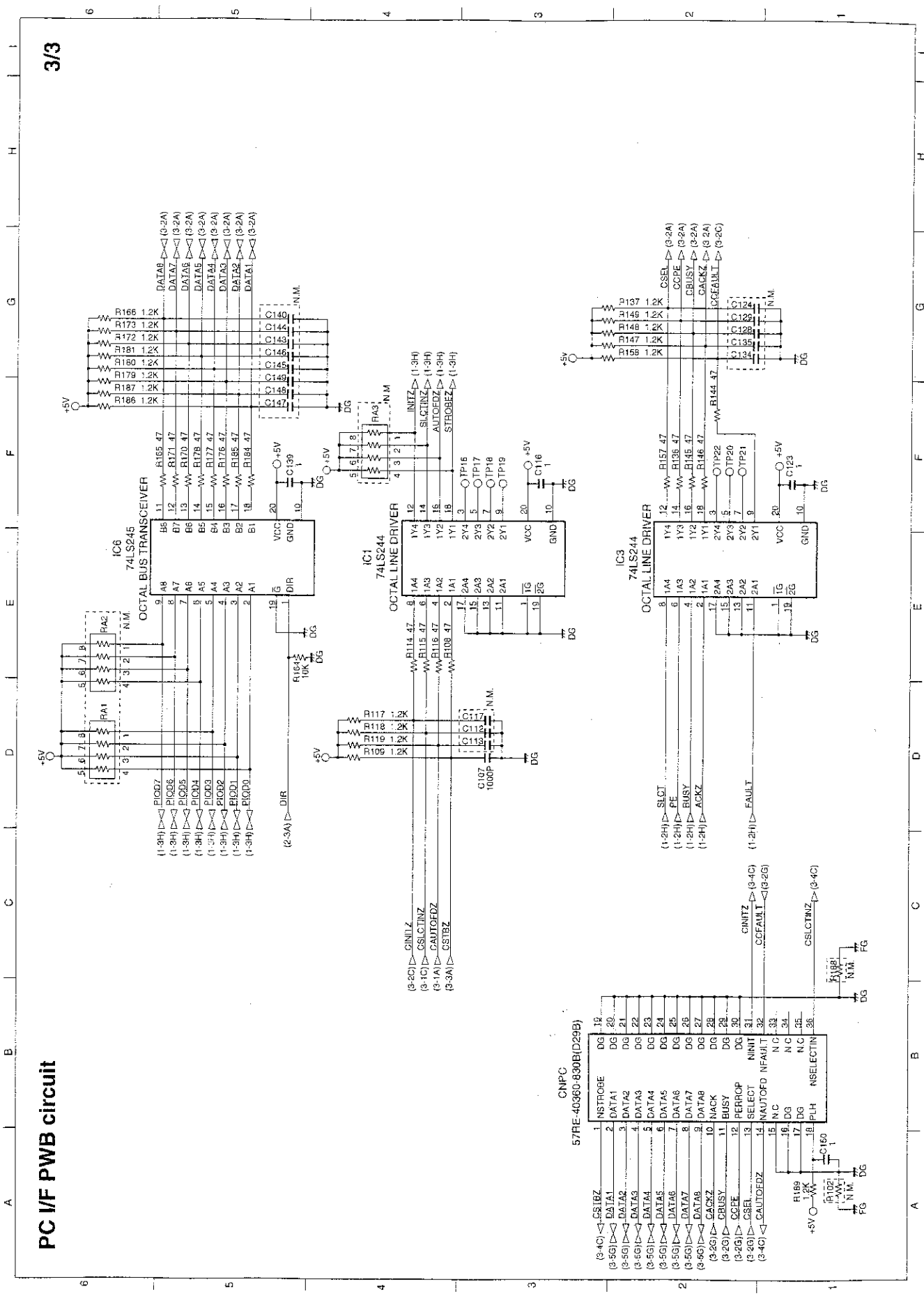


[3] Circuit schematics and parts layout



PC I/F PWB circuit

3/3



NO.	PARTS CODE	PRICE RANK	NEW MARK	PART RANK	DESCRIPTION
[2] PC I/F PWB unit					
1	VCEAEA1CW336M	AB		C	Capacitor(16WV 33uF) [C2]
2	VCKYTV1HB102K	AA		C	Capacitor(50WV 1000PF) [C100]
3	VCKYTV1HB222K	AA		C	Capacitor(50WV 2200PF) [C101]
4	VCCCTV1HH3R0C	AA		C	Capacitor(50WV 3PF) [C102]
5	VCCCTV1HH8R0D	AA		C	Capacitor(50WV 8PF) [C103]
6	VCKYTV1HB103K	AB		C	Capacitor(50WV 0.01uF) [C104]
7	VCKYTV1HB222K	AA		C	Capacitor(50WV 2200PF) [C106]
8	VCKYTV1HB102K	AA		C	Capacitor(50WV 1000PF) [C107]
9	VCKYTV1EF104Z	AA		C	Capacitor(25WV 0.1uF) [C108]
10	VCKYTV1CF105Z	AB		C	Capacitor(16WV 1uF) [C111]
11	VCKYTV1CF105Z	AB		C	Capacitor(16WV 1uF) [C115]
12	VCKYTV1CF105Z	AB		C	Capacitor(16WV 1uF) [C116]
13	VCKYTV1HB103K	AB		C	Capacitor(50WV 0.01uF) [C118]
14	VCKYTV1CF105Z	AB		C	Capacitor(16WV 1uF) [C119]
15	VCKYTV1CF105Z	AB		C	Capacitor(16WV 1uF) [C120]
16	VCKYTV1CF105Z	AB		C	Capacitor(16WV 1uF) [C121]
17	VCCCTV1HH8R0D	AA		C	Capacitor(50WV 8PF) [C122]
18	VCKYTV1CF105Z	AB		C	Capacitor(16WV 1uF) [C123]
19	VCKYTV1HB102K	AA		C	Capacitor(50WV 1000PF) [C127]
20	VCKYTV1CF105Z	AB		C	Capacitor(16WV 1uF) [C131]
21	VCKYTV1CF105Z	AB		C	Capacitor(16WV 1uF) [C132]
22	VCCCTV1HH3R0C	AA		C	Capacitor(50WV 3PF) [C133]
23	VCKYTV1CF105Z	AB		C	Capacitor(16WV 1uF) [C137]
24	VCKYTV1CF105Z	AB		C	Capacitor(16WV 1uF) [C138]
25	VCKYTV1CF105Z	AB		C	Capacitor(16WV 1uF) [C139]
26	VCKYTV1EF104Z	AA		C	Capacitor(25WV 0.1uF) [C141]
27	VCKYTV1EF104Z	AA		C	Capacitor(25WV 0.1uF) [C142]
28	VCKYTV1CF105Z	AB		C	Capacitor(16WV 1uF) [C150]
29	VCKYTV1CF105Z	AB		C	Capacitor(16WV 1uF) [C151]
30	VCKYTV1CF105Z	AB		C	Capacitor(16WV 1uF) [C152]
31	QCNCW0946FCZZ	AH		C	Connector(36pin) [CNPC]
32	QCNCW2527SC4J	AL	N	C	Connector(40pin) [CNPCIF]
33	VHID74LS244F	AF		B	IC,OCTAL LINE DRIVER(74LS244) [IC1]
34	VHITC74HC04F	AE		B	IC,HEX UNBUFFERED INVERTER(74HC04) [IC2]
35	VHID74LS244F	AF		B	IC,OCTAL LINE DRIVER(74LS244) [IC3]
36	VHID6004//1	BL		B	IC,PRINTER CONTROLLER ASIC(D6004) [IC4]
37	VHID74LS245F	AF	N	B	IC,OCTAL BUS TRANSCEIVER(74LS245) [IC6]
38	VH1M16E//J-6	AZ		B	IC,16Mbit DRAM(HY5118164) [IC7]
39	VHITC7WU04U-1	AE	N	B	IC,TRIPLE UNBUFFERED INVERTER(TC7WU04) [IC8]
40	VP-1M1R0J0000	AC	N	C	Inductor [L100]
41	VRS-TS2AD000J	AA		C	Resistor(1/10W 0Ω ±5%) [L101]
42	VP-1M1R0J0000	AC	N	C	inductor [L102]
43	VRS-TS2AD000J	AA		C	Resistor(1/10W 0Ω ±5%) [L103]
44	VRS-TS2AD103J	AA		C	Resistor(1/10W 10KΩ ±5%) [R101]
45	VRS-TS2AD103J	AA		C	Resistor(1/10W 10KΩ ±5%) [R103]
46	VRS-TS2AD103J	AA		C	Resistor(1/10W 10KΩ ±5%) [R104]
47	VRS-TS2AD101J	AA		C	Resistor(1/10W 100Ω ±5%) [R106]
48	VRS-TS2AD105J	AA		C	Resistor(1/10W 1.0MΩ ±5%) [R107]
49	VRS-TS2AD470J	AA		C	Resistor(1/10W 47Ω ±5%) [R108]
50	VRS-TS2AD122J	AA		C	Resistor(1/10W 1.2KΩ ±5%) [R109]
51	VRS-TS2AD103J	AA		C	Resistor(1/10W 10KΩ ±5%) [R110]
52	VRS-TS2AD103J	AA		C	Resistor(1/10W 10KΩ ±5%) [R111]
53	VRS-TS2AD000J	AA		C	Resistor(1/10W 0Ω ±5%) [R113]
54	VRS-TS2AD470J	AA		C	Resistor(1/10W 47Ω ±5%) [R114]
55	VRS-TS2AD470J	AA		C	Resistor(1/10W 47Ω ±5%) [R115]
56	VRS-TS2AD470J	AA		C	Resistor(1/10W 47Ω ±5%) [R116]
57	VRS-TS2AD122J	AA		C	Resistor(1/10W 1.2KΩ ±5%) [R117]
58	VRS-TS2AD122J	AA		C	Resistor(1/10W 1.2KΩ ±5%) [R118]
59	VRS-TS2AD122J	AA		C	Resistor(1/10W 1.2KΩ ±5%) [R119]
60	VRS-TS2AD103J	AA		C	Resistor(1/10W 10KΩ ±5%) [R120]
61	VRS-TS2AD000J	AA		C	Resistor(1/10W 0Ω ±5%) [R123]
62	VRS-TS2AD000J	AA		C	Resistor(1/10W 0Ω ±5%) [R124]
63	VRS-TS2AD000J	AA		C	Resistor(1/10W 0Ω ±5%) [R127]
64	VRS-TS2AD330J	AA		C	Resistor(1/10W 33Ω ±5%) [R128]
65	VRS-TS2AD330J	AA		C	Resistor(1/10W 33Ω ±5%) [R133]
66	VRS-TS2AD330J	AA		C	Resistor(1/10W 33Ω ±5%) [R134]
67	VRS-TS2AD330J	AA		C	Resistor(1/10W 33Ω ±5%) [R135]
68	VRS-TS2AD470J	AA		C	Resistor(1/10W 47Ω ±5%) [R136]
69	VRS-TS2AD122J	AA		C	Resistor(1/10W 1.2KΩ ±5%) [R137]
70	VRS-TS2AD000J	AA		C	Resistor(1/10W 0Ω ±5%) [R138]
71	VRS-TS2AD330J	AA		C	Resistor(1/10W 33Ω ±5%) [R139]
72	VRS-TS2AD330J	AA		C	Resistor(1/10W 33Ω ±5%) [R140]
73	VRS-TS2AD000J	AA		C	Resistor(1/10W 0Ω ±5%) [R141]
74	VRS-TS2AD101J	AA		C	Resistor(1/10W 100Ω ±5%) [R142]
75	VRS-TS2AD105J	AA		C	Resistor(1/10W 1.0MΩ ±5%) [R143]
76	VRS-TS2AD470J	AA		C	Resistor(1/10W 47Ω ±5%) [R144]
77	VRS-TS2AD470J	AA		C	Resistor(1/10W 47Ω ±5%) [R145]
78	VRS-TS2AD470J	AA		C	Resistor(1/10W 47Ω ±5%) [R146]
79	VRS-TS2AD122J	AA		C	Resistor(1/10W 1.2KΩ ±5%) [R147]
80	VRS-TS2AD122J	AA		C	Resistor(1/10W 1.2KΩ ±5%) [R148]

NO.	PARTS CODE	PRICE RANK	NEW MARK	PART RANK	DESCRIPTION	
[2] PC I/F PWB unit						
81	VRS-TS2AD122J	AA		C	Resistor(1/10W 1.2K Ω \pm 5%)	[R149]
82	VRS-TS2AD330J	AA		C	Resistor(1/10W 33 Ω \pm 5%)	[R151]
83	VRS-TS2AD330J	AA		C	Resistor(1/10W 33 Ω \pm 5%)	[R152]
84	VRS-TS2AD330J	AA		C	Resistor(1/10W 33 Ω \pm 5%)	[R153]
85	VRS-TS2AD330J	AA		C	Resistor(1/10W 33 Ω \pm 5%)	[R154]
86	VRS-TS2AD330J	AA		C	Resistor(1/10W 33 Ω \pm 5%)	[R155]
87	VRS-TS2AD000J	AA		C	Resistor(1/10W 0 Ω \pm 5%)	[R156]
88	VRS-TS2AD470J	AA		C	Resistor(1/10W 47 Ω \pm 5%)	[R157]
89	VRS-TS2AD122J	AA		C	Resistor(1/10W 1.2K Ω \pm 5%)	[R158]
90	VRS-TS2AD330J	AA		C	Resistor(1/10W 33 Ω \pm 5%)	[R159]
91	VRS-TS2AD330J	AA		C	Resistor(1/10W 33 Ω \pm 5%)	[R160]
92	VRS-TS2AD330J	AA		C	Resistor(1/10W 33 Ω \pm 5%)	[R161]
93	VRS-TS2AD330J	AA		C	Resistor(1/10W 33 Ω \pm 5%)	[R162]
94	VRS-TS2AD330J	AA		C	Resistor(1/10W 33 Ω \pm 5%)	[R163]
95	VRS-TS2AD103J	AA		C	Resistor(1/10W 10K Ω \pm 5%)	[R164]
96	VRS-TS2AD470J	AA		C	Resistor(1/10W 47 Ω \pm 5%)	[R165]
97	VRS-TS2AD122J	AA		C	Resistor(1/10W 1.2K Ω \pm 5%)	[R166]
98	VRS-TS2AD330J	AA		C	Resistor(1/10W 33 Ω \pm 5%)	[R167]
99	VRS-TS2AD330J	AA		C	Resistor(1/10W 33 Ω \pm 5%)	[R168]
100	VRS-TS2AD330J	AA		C	Resistor(1/10W 33 Ω \pm 5%)	[R169]
101	VRS-TS2AD470J	AA		C	Resistor(1/10W 47 Ω \pm 5%)	[R170]
102	VRS-TS2AD470J	AA		C	Resistor(1/10W 47 Ω \pm 5%)	[R171]
103	VRS-TS2AD122J	AA		C	Resistor(1/10W 1.2K Ω \pm 5%)	[R172]
104	VRS-TS2AD122J	AA		C	Resistor(1/10W 1.2K Ω \pm 5%)	[R173]
105	VRS-TS2AD330J	AA		C	Resistor(1/10W 33 Ω \pm 5%)	[R174]
106	VRS-TS2AD330J	AA		C	Resistor(1/10W 33 Ω \pm 5%)	[R175]
107	VRS-TS2AD470J	AA		C	Resistor(1/10W 47 Ω \pm 5%)	[R176]
108	VRS-TS2AD470J	AA		C	Resistor(1/10W 47 Ω \pm 5%)	[R177]
109	VRS-TS2AD470J	AA		C	Resistor(1/10W 47 Ω \pm 5%)	[R178]
110	VRS-TS2AD122J	AA		C	Resistor(1/10W 1.2K Ω \pm 5%)	[R179]
111	VRS-TS2AD122J	AA		C	Resistor(1/10W 1.2K Ω \pm 5%)	[R180]
112	VRS-TS2AD122J	AA		C	Resistor(1/10W 1.2K Ω \pm 5%)	[R181]
113	VRS-TS2AD103J	AA		C	Resistor(1/10W 10K Ω \pm 5%)	[R182]
114	VRS-TS2AD330J	AA		C	Resistor(1/10W 33 Ω \pm 5%)	[R183]
115	VRS-TS2AD470J	AA		C	Resistor(1/10W 47 Ω \pm 5%)	[R184]
116	VRS-TS2AD470J	AA		C	Resistor(1/10W 47 Ω \pm 5%)	[R185]
117	VRS-TS2AD122J	AA		C	Resistor(1/10W 1.2K Ω \pm 5%)	[R186]
118	VRS-TS2AD122J	AA		C	Resistor(1/10W 1.2K Ω \pm 5%)	[R187]
119	VRS-TS2AD122J	AA		C	Resistor(1/10W 1.2K Ω \pm 5%)	[R189]
120	VRS-TS2AD470J	AA		C	Resistor(1/10W 47 Ω \pm 5%)	[R191]
121	RCRSZ2154XHZZ	AG	N	B	Crystal(45.9964MHz)	[X1]
122	RCRSZ2153XHZZ	AG	N	B	Crystal(48.0000MHz)	[X2]
	(Unit)					
901	DCEK1474BXH01	BT	N	E	PC I/F PWB unit	

SHARP

COPYRIGHT © 1999 BY SHARP CORPORATION

ALL RIGHTS RESERVED.

No part of this publication may be reproduced, stored in a retrieval system, or transmitted in any form or by any means, electronic, mechanical, photocopying, recording, or otherwise, without prior written permission of the publisher.

SHARP CORPORATION
Communication Systems Group
Quality & Reliability Control Center
Higashihiroshima, Hiroshima 739-0192, Japan
Printed in Japan

A9911-2084SS-IS-T